



## Eagle Connector Corporation

401 Crossen Avenue  
Elk Grove Village, IL 60007-2003  
Phone: 847-593-8737  
Fax: 847-593-7994  
info@eagleconnector.com

### D-SERIES TERMINAL BLOCKS

The Eagle Connector D-Series terminal block is a high current, 85 amp., yet compact sized terminal block. The D-Series is dead front, that is all live metal parts are recessed inside of the insulator block. The D-Series was designed for rugged industrial equipment and commercial appliance applications.

#### General Specifications

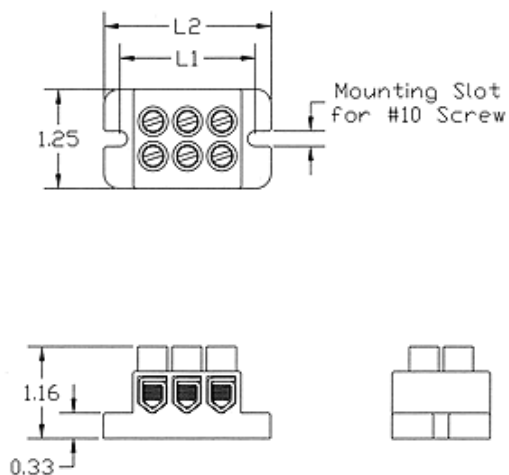
**Voltage Rating:** 300 Volts  
**Current Rating:** 85 Amps  
**Wire Range:** #18 to #4 AWG Solid or Stranded, Copper  
**Temperature Range:** -30°C to 130°C  
**Screw Tightening Torque:** 20 Inch-Pounds  
**Wire Strip Length:** 3/8 Inch

#### Material Specification

**Insulator:** Thermoplastic PBT Polyester, Glass Filled, 94V-O, 130°C  
**Connector:** .0002" (200 micro-inch) thick Matte Tin over Copper  
Flash over 0.050" thick 70/30 Brass  
**Screw:** 1/4-28 Slotted, Headless, Domed Point Set Screw; Clear  
Chromate over .0001" (100 micro-inch) thick Zinc over Steel



#### D-03 Drawing



#### D Series

Catalog Number	L1	L2
D-02	1.27	1.70
D-03	1.69	2.11
D-11	5.27	5.83

UL Recognized, CSA Certified, VDE Licensed



Call us for free sample terminal blocks.  
Call us to help solve your custom terminal block  
requirements.

**847-593-8737**

